



# L3 SERIES BAR

## 49C311

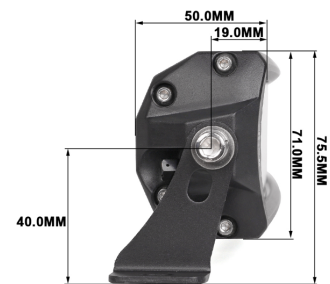
### L3 SERIES LIGHT BAR, 30", COMBO BEAM, DUAL ROW, CURVED

#### WHAT'S INCLUDED:

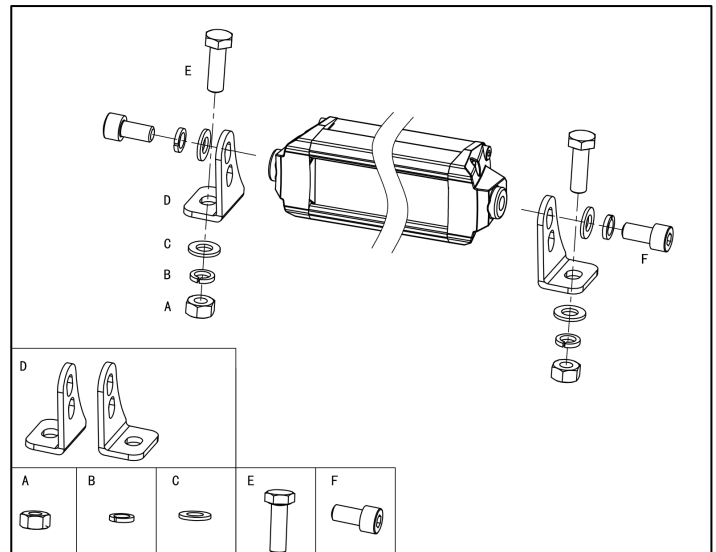
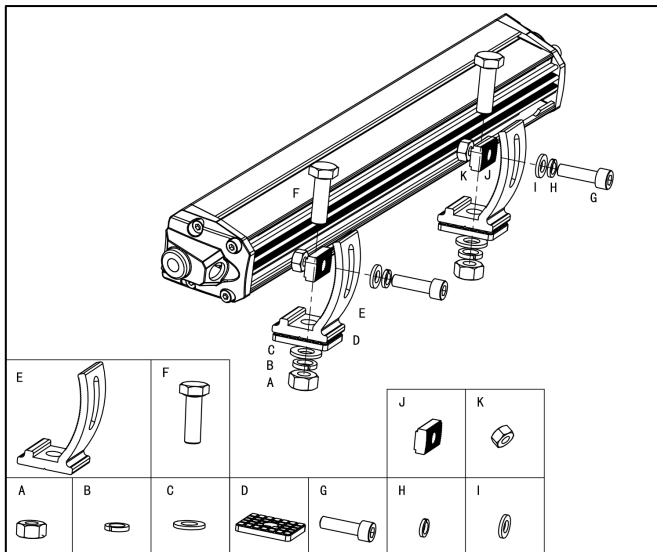
- 1 x LED Light Bar
- 2 x Side and Bottom Mounting Brackets
- Mounting Brackets

#### FEATURES & SPECIFICATIONS:

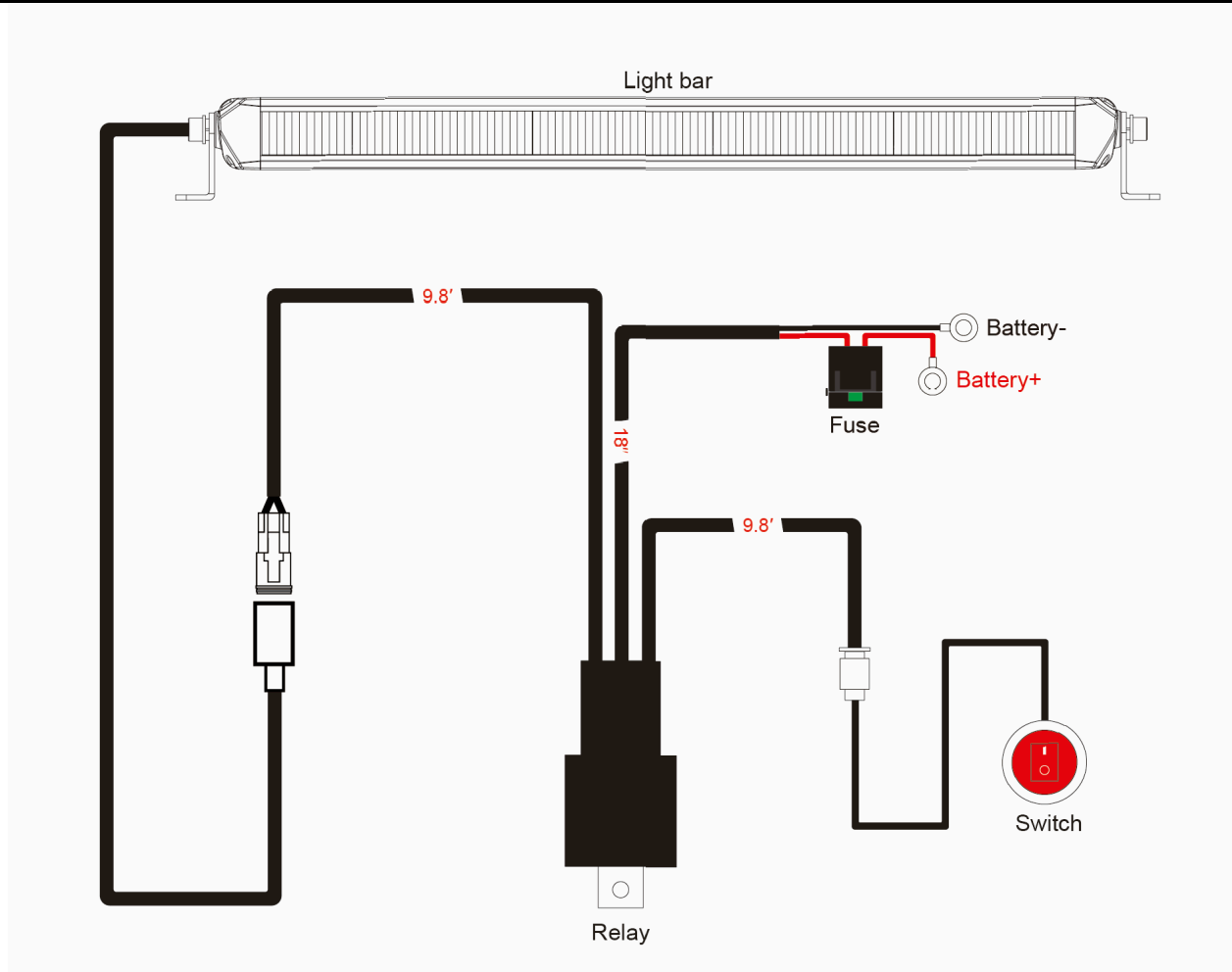
- Light Output: 9,200 Lumens
- LEDs: OSRAM
- Power: 180W @ 13.6V DC
- Current: 13.2A @ 13.6V DC
- Voltage: 9 - 36V DC
- Dimension (H,W,D): 7.1 x 81.0 x 5.0 cm
- IP Rating: IP 67
- Beam Pattern: Spot/Flood Combo



#### MOUNTING INSTALL INSTRUCTION



## INSTALL INSTRUCTION



Wiring Harness 840001 Sold Separately

1. Determine suitable mounting locations to install the LED light bar, wiring harness and switch. Once all mounting locations are confirmed, connect the wires as shown above. Proper insulation at connections is required.
2. Connect positive and negative wire properly. Press the switch button to test if the light bar is functioning properly.
3. Adjust the light to the desired angle and then secure by tightening all mounting screws.