



L5 SERIES POD

5G3612/6G3112 L5 SERIES POD 3" CUBE LED POD LIGHTS FLUSH MOUNT

WHAT'S INCLUDED:

- 1 x LED Pods Flush Mount
- 1 x Foam Bracket Pad
- Mounting Hardware

FEATURES & SPECIFICATIONS:

- Light Output: 1,500 Lumens (Per Light)
- Power: 20W @ 13.6V DC
- Current: 1.5A @ 13.6V DC
- Voltage: 10 - 36V DC
- Dimension (H,W,D): 8.9 x 8.9 x 6.7 cm
- IP Rating: IP 67
- Beam Pattern:
SKU 5G3612: Fog Beam (SAE J583)
SKU 6G3112: Flood/Reverse (SAE J593)

MOUNTING AND WIRING | INSTRUCTION

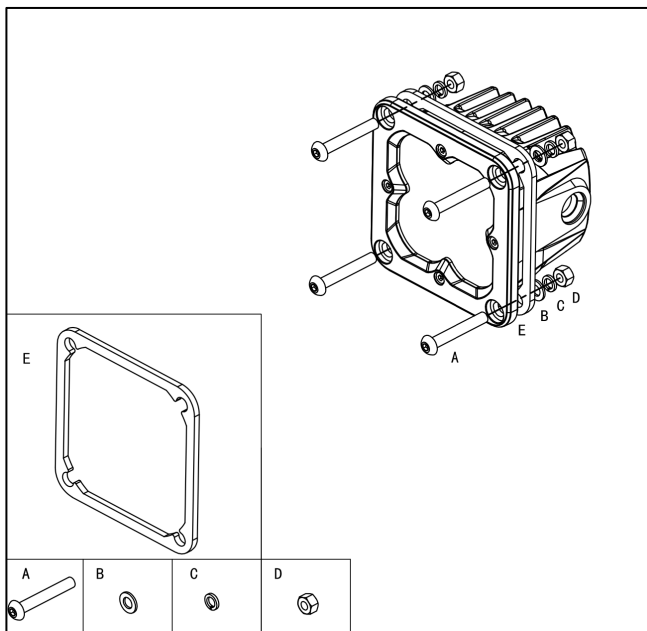


FIG 1

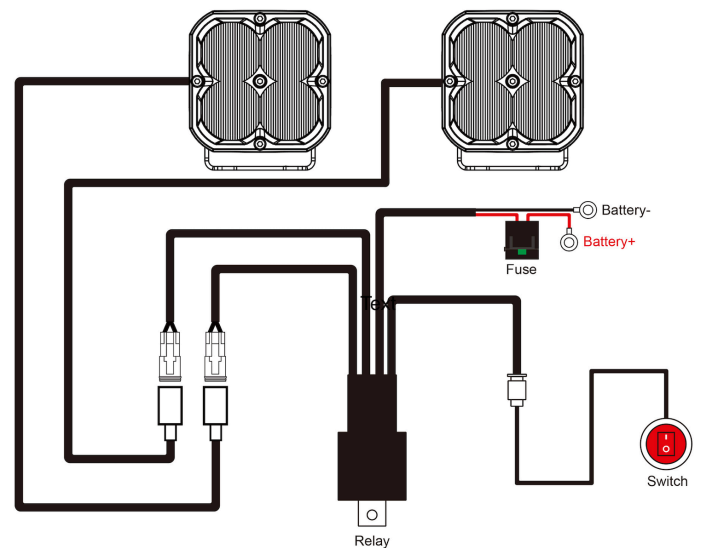


FIG 2

Wiring Harness (840002) sold separately

INSTALL INSTRUCTION

1. This installation guide is for the following SKUs:
 - 5G3612 - L5 Series Pod, 3" Cube LED Pod Lights, Fog Beam, Flush Mount
 - 6G3112 – L5 Series Pod, 3" Cube LED Pod Lights, Flood Beam, Flush Mount
2. Determine suitable mounting locations to install the LED Pods, wiring harness and switch.
3. Use the cutout portion of the gasket included to mark the cutout location. Cut out only the hole for the pod housing and the 4 outside holes.
4. Ensure your mounting surface is flat and allows for the pod to go in. Also ensure your surface allows enough room for the depth of the pod.
5. Attach the cutout portion of the gasket to your mounting surface using tape. Mark the four drill holes and center area of template using a marker.
6. Remove the cutout portion and double check your markings by placing the included gasket portion over the area. Adjust the markings accordingly.
7. After you ensure proper alignment, cut through the markings using appropriate metal cutting tools. File down any rough edges and excess trimmings to allow the pod to fit inside the hole you just created.
8. Attach the gasket to the backside of the pod flange. Secure the pod using the included hardware. See diagram FIG 1.
9. Connect the wires as illustrated in diagram FIG 2. Proper insulation at connections is required. Connect positive and negative wire properly. Press the switch to test if the lights are functioning properly.