

### PARTS LIST

- 2x Front Plate
- 4x Small Back Plate
- 4x M4 x 40mm Hex Screw



### REQUIRED TOOLS

- M3 Hex Allen Wrench

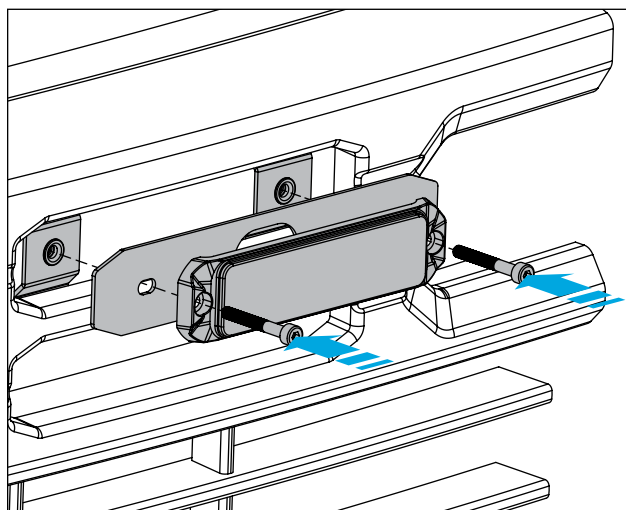
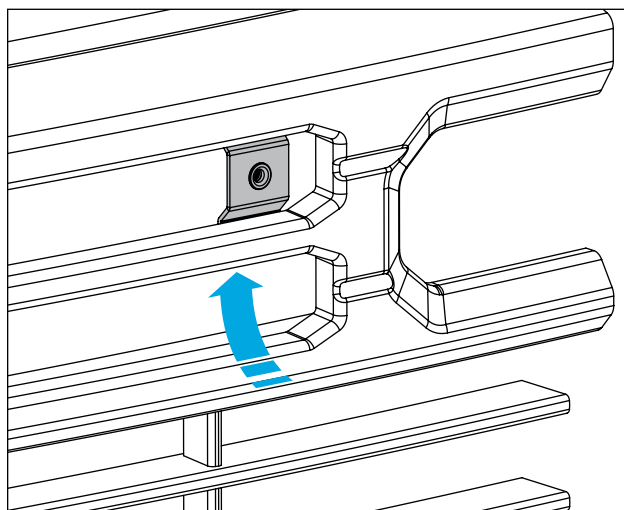
### TECH NOTES

- No cutting or drilling is required for front grille strobe light installation.
- Approx. install time: 20 minutes (not including harness installation)

SCAN FOR VIDEO  
INSTRUCTIONS OR VISIT  
[BUILT-BRIGHT.COM/INSTALL](https://www.built-bright.com/install)

## INSTALL THE GRILLE BRACKET + LIGHT

1. Unbox the grille brackets and lay out all of the components. Determine where you want to install the lights on the grille.
  2. Couple the lights with the front plate. Align the two holes on the sides.
  3. Insert the screws through the light and the bracket holes.
  4. You can use the provided 3M tape to attach the lights to the bracket (optional).
  5. Mount the lights to the chosen location on the grille.
  6. Hold the back plate to the rear of the grille hole/slot.
  7. Tighten the screw with a hex wrench.
- Note: If the hole/slot of the grille is too small for your hand to reach behind, you can attach the back plate to the screw loosely beforehand. Insert the back plate horizontally through the hole/slot. Adjust the back plate vertically and then tighten the screws. **Do not overtighten.**



# **STROBELINK**™

**ALL-IN-ONE STROBE LIGHT KIT**

***BUILTBRIGHT***

BASTROP, TEXAS 78602  
UNITED STATES OF AMERICA  
[WWW.BUILT-BRIGHT.COM](http://WWW.BUILT-BRIGHT.COM)

