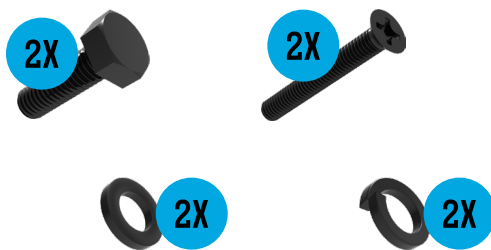


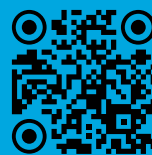
PARTS LIST

- 1x Front Bracket
- 1x Back Plate
- 1x Foam Gasket
- 2x M4 Flat Screw
- 2x M6 Hex Head Bolt
- 2x M6 Flat Washer
- 2x M6 Lock Washer



REQUIRED TOOLS

- Philips Screwdriver
- 10mm Socket Wrench



SCAN FOR VIDEO
INSTRUCTIONS OR VISIT
[BUILT-BRIGHT.COM/INSTALL](https://www.built-bright.com/install)

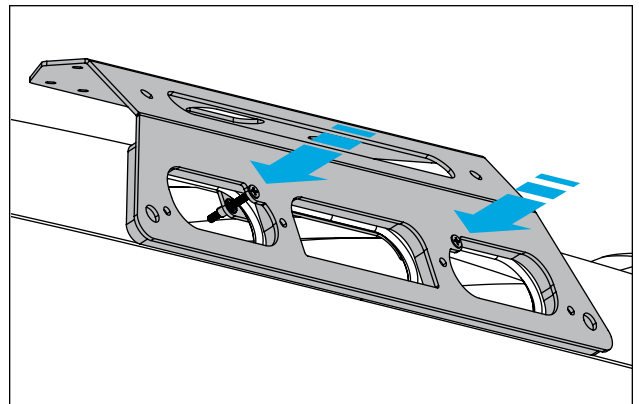
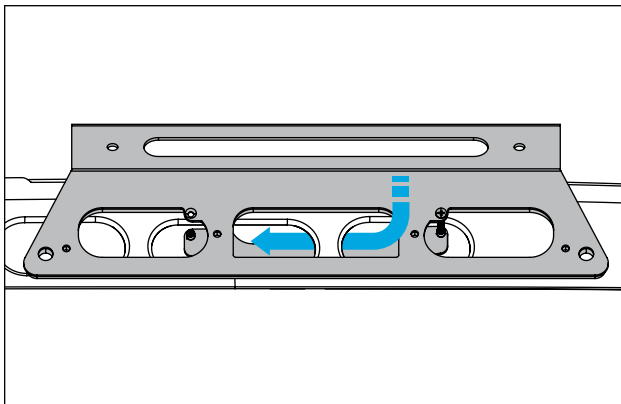
TECH NOTES

- As the factory lights are plastic, we do not recommend using any power tools in this install to prevent you from breaking the plastic housing of the lights.
- Approximate Install Time: 20 mins (not including installing the mini bar on to the bracket)

1

INSTALLATION

1. Remove the factory 3rd brake light by removing the factory screws. Keep the factory screws for later use.
2. Clean the mounting surface on the truck and the back side of the 3rd brake light bracket with alcohol pads or equivalent.
3. Remove the backing paper from the tape on the foam gasket. Align and attach the gasket to the back side of the bracket.
4. Couple the front bracket and back plate with one of the M4 screws. Insert the back plate through the truck opening. Loosely tighten the 2 M4 screws to hold the bracket in place.
5. Mount the mini light bar on the top two holes of the bracket with the provided M6 hardware.
6. Route light bar wire to the bottom of the bracket. Cut a small slot on the bottom of the gasket to allow the wire to go inside of the cab. The wire will be routed inside the headliner later.
7. Tighten the two M4 screws. **Do not over tighten.**
8. Connect the factory light harness and mount the factory light back with the factory screws.



STROBELINK™

ALL-IN-ONE STROBE LIGHT KIT

BUILTBRIGHT

BASTROP, TEXAS 78602
UNITED STATES OF AMERICA
WWW.BUILT-BRIGHT.COM

