



**WHAT'S INCLUDED:**

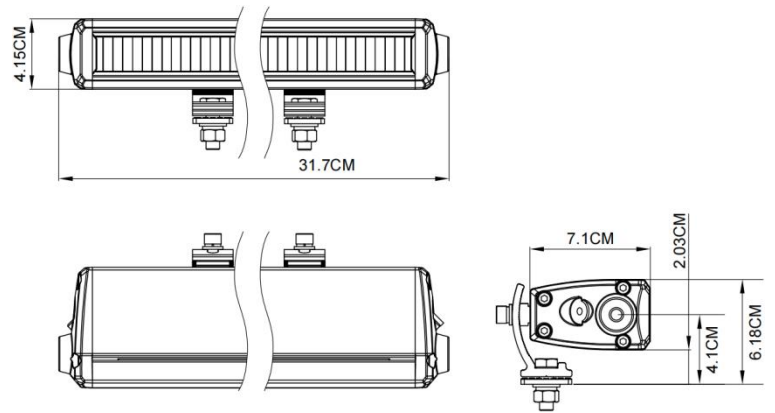
- 1 x LED Light Bar
- Side and Bottom Mounting Brackets
- Mounting Hardware

**FEATURES & SPECIFICATIONS:**

- Light Output: 3,200 Lumens
- Power: 90W @ 13.6V DC
- Current: 6.6A @ 13.6V DC
- Voltage: 9 - 36V DC
- Dimension (H,W,D): 4.1 x 31.7 x 7.1 CM
- Beam Pattern: Driving Beam

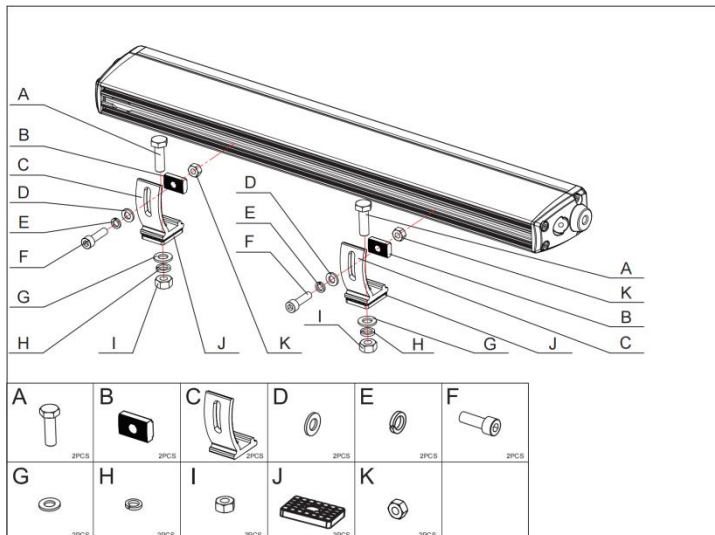
**L7 SERIES BAR**

**47A812**  
**L7 SERIES BAR**  
**12" STRAIGHT LED LIGHT BAR**  
**WHITE+YELLOW**  
**DRIVING BEAM**

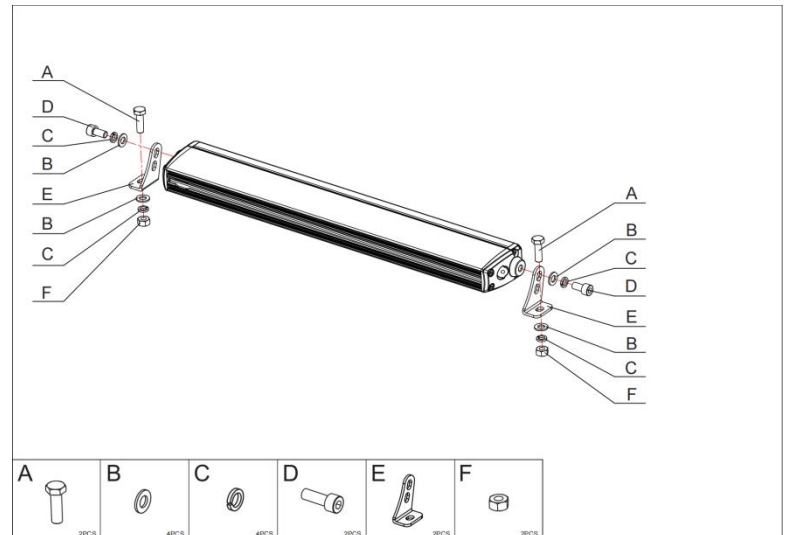


**MOUNTING INSTALL INSTRUCTION**

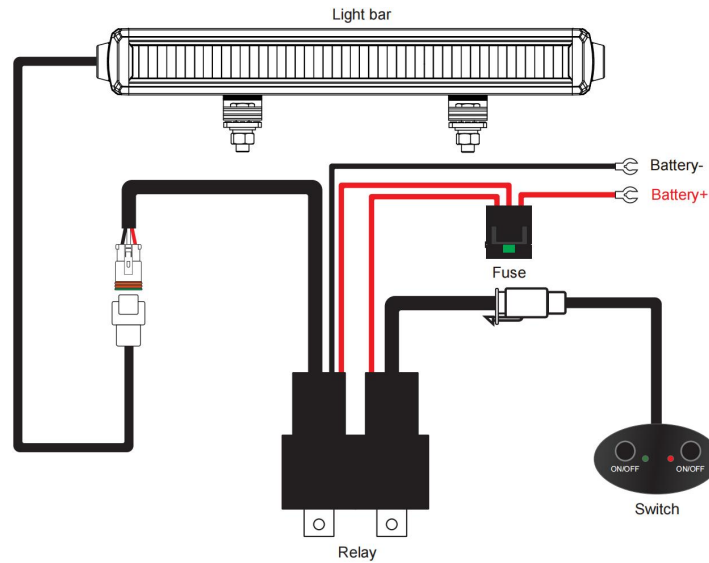
**Bottom Mounts**



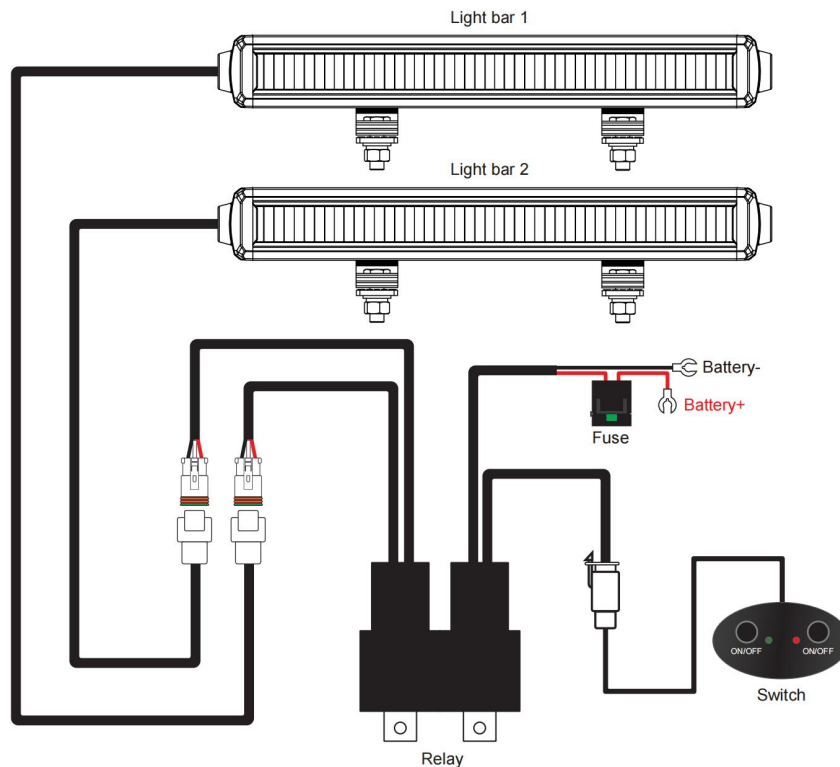
**Side Mounts**



# INSTALL INSTRUCTION



For One 12" Light Bar; Wiring Harness 84472 Sold Separately



For Two 12" Light Bars; Wiring Harness 84471 Sold Separately

1. Determine suitable mounting locations to install the LED light bar, wiring harness and switch. Once all mounting locations are confirmed, connect the wires as shown above. Proper insulation at connections is required.
2. Connect positive and negative wire properly. Press the switch button to test if the light bar is functioning properly.
3. Adjust the light to the desired angle and then secure by tightening all mounting screws.